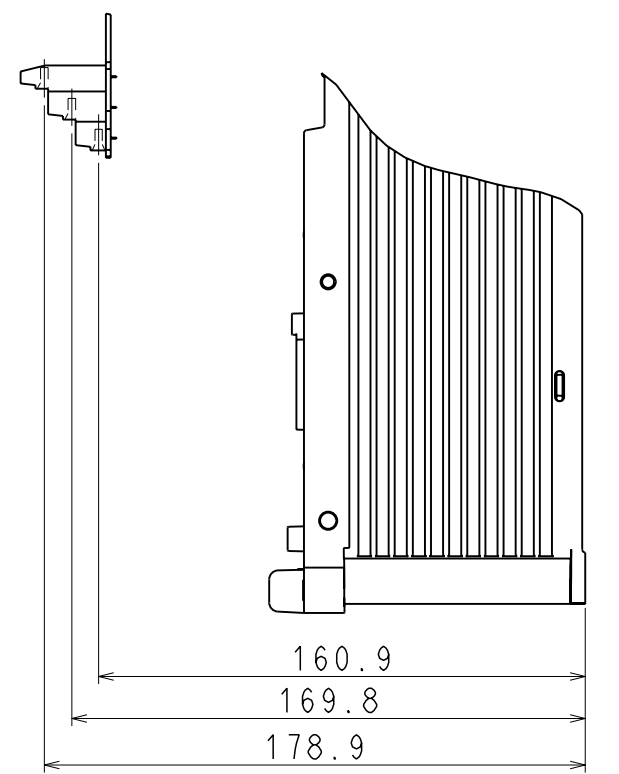
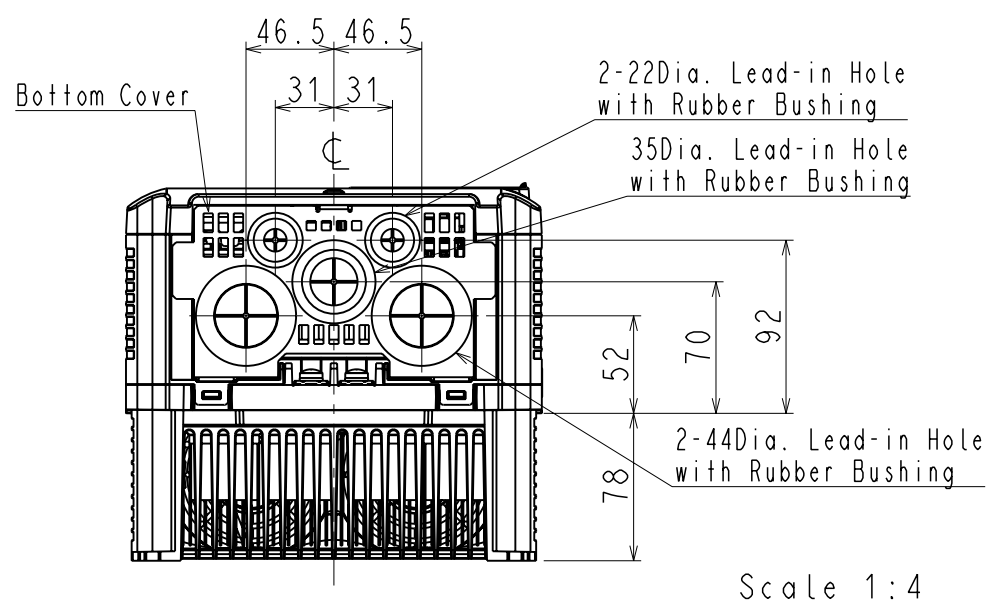
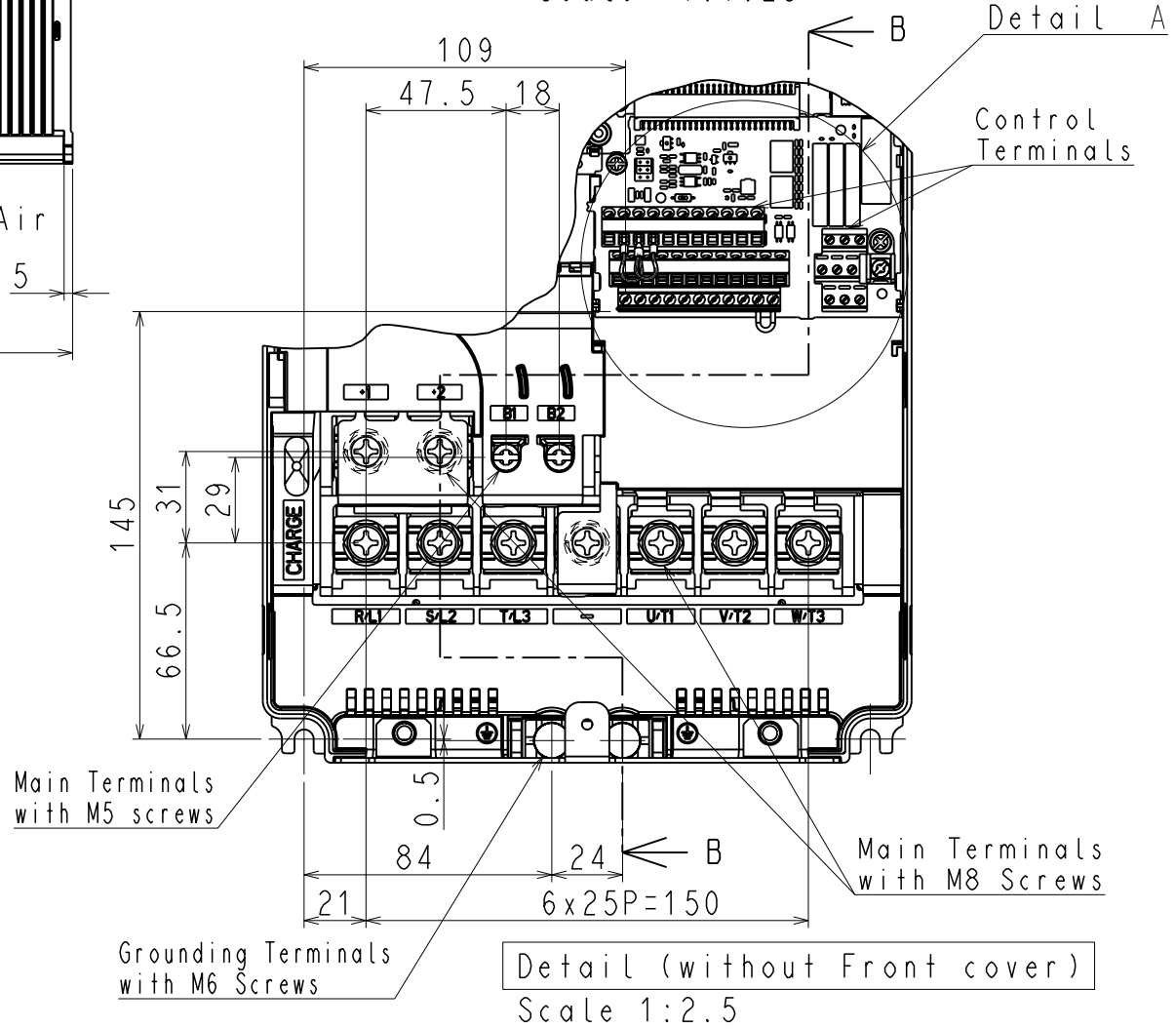
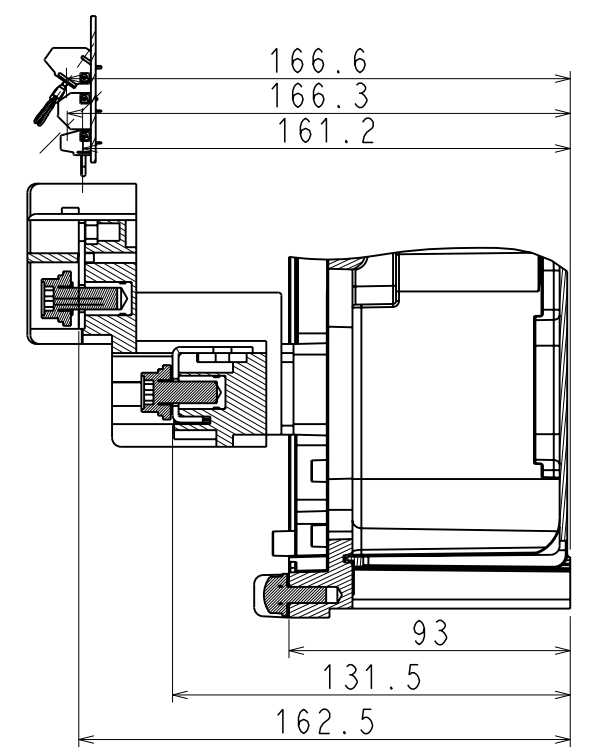
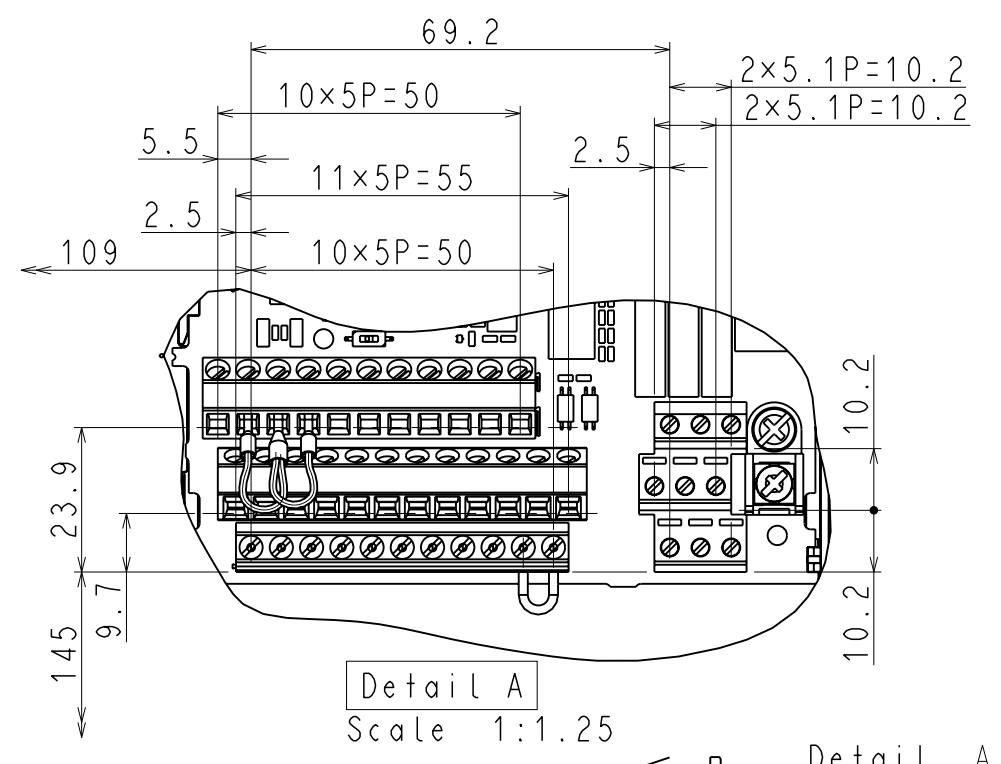
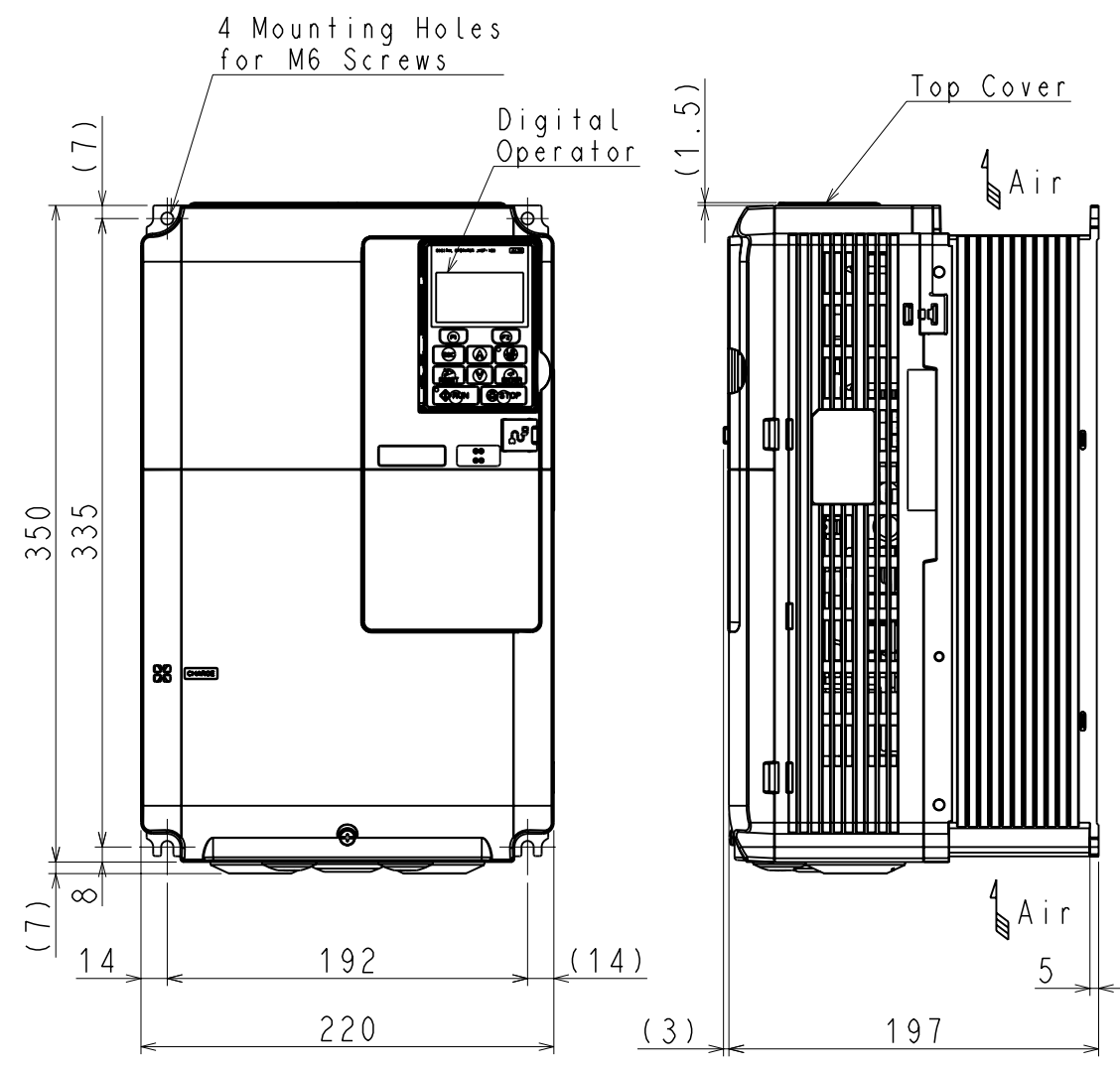


DWG.NO. EZZ902059-1/1

| Model No. | Max Appli. Motor (kW) | | Terminal Symbol | | Cooling Fan | Mass (kg) |
|----------------|-----------------------|------------|-----------------|----------------|-------------|-----------|
| | Normal Duty | Heavy Duty | INPUT | OUTPUT (MOTOR) | | |
| CIMR-LU2□0060D | - | 15 | R/L1 S/L2 T/L3 | U/T1 V/T2 W/T3 | 2 | 8.7 |
| CIMR-LU2□0075D | - | 18.5 | | | 2 | 9.7 |

Third Angle Projection
Dimensions in mm



| | | | | | | |
|-----------|-------------|--|--------------------------------|--------------------------------|--------------------|--------|
| REVISIONS | SCALE - : - | | DRAW. Nov.26.2013 M. Sameshima | TITLE L1000A OPEN CHASSIS TYPE | DWG. NO. EZZ902059 | REV. 1 |
| | | | CHECK M. Kojyo | DIMENSION DIAGRAM | | |
| | | | APPR. M. Kojyo | | | |